



MOWERS LIMITED  
GARDEN STREET - GARDEN PARK NSW  
ABN 11 000 257 303

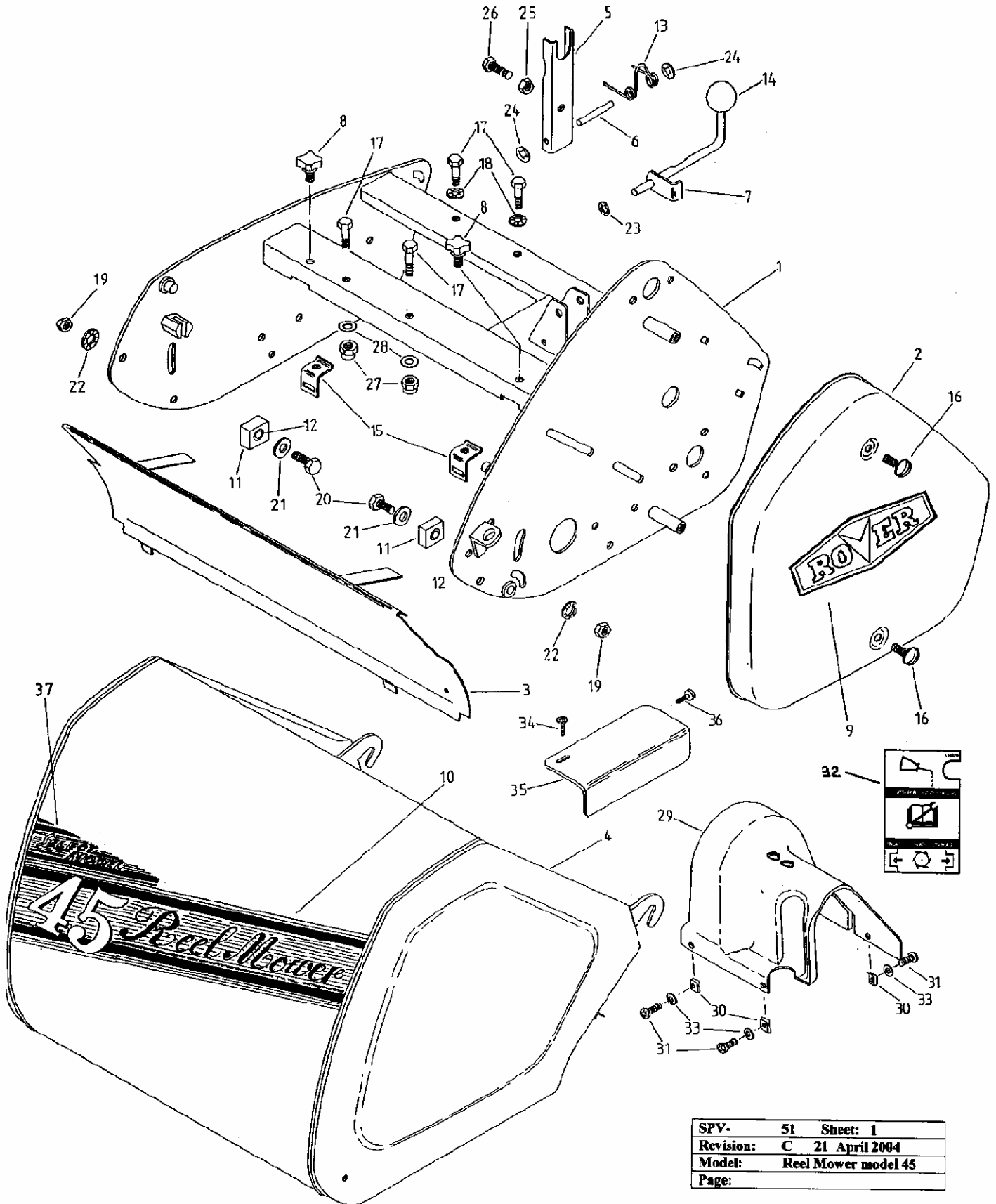
# SPARE PARTS VIEW

## Reel Mower 45 – 6 Blade Cutter

### Chassis

SPV51 Sheet 01

1 of 2



SPV-	51	Sheet: 1
Revision:	C	21 April 2004
Model:	Reel Mower model 45	
Page:		





MOWERS LIMITED  
GARIBI STREET - GARIBI PARKWAY  
ABN 11 000 257 303

# SPARE PARTS VIEW

## Reel Mower 45 – 6 Blade Cutter

### Chassis

SPV51 Sheet 01

2 of 2

Item	Part	Description	Qty
1	A10538	Mower frame assembly	1
2	A455777	Chain case	1
3	A454387	Deflector assembly	1
4	J454459R	Grass box assembly	1
5	A331010	Clutch fork assembly	1
6	A333067	Clutch fork pivot	1
7	A10534	Operating handle	1
8	A432428	Deflector clamp screw	2
9	A12507	Decal- chain case	1
10	A20022	Decal- grass box	1
11	A453085K	Grass box support rubber	2
12	A03504	Bush-	2
13	A333091	Clutch fork spring	1
14	A2881016	Knob	1
15	A451143	Deflector mount clamp	2
16	A02107	Screw- 1/4" x 1/2" unc.mush.head	2
17	A1213809	Bolt- 5/16" x 1-1/2" unf.HT.	4
18	A02031	Washer- 5/16" shakeproof	4
19	A02007	Nut- 3/8" unc.hex.	2
20	A02100	Bolt- 3/8" x 1-1/4" unc.hex.	2
21	A02033	Washer- 3/8" x 3/4" x 16g.flat	2
22	A02034	Washer- 3/8" shakeproof	2
23	A2501116	Avdel	1
24	A2501095	Avdel	2
25	A232116	Nut- 1/4" unf.hex.	1
26	A173016	Setscrew- 1/4" x 1-1/4" unf.HT.	1
27	A02256	Nyloc nut- 5/16" unf.	2
28	A02030	Washer- 5/16" x 5/8" x 16g.flat	2
29	A20040	Clutch cover	1
30	A04088	Speed nut- Bin 045	4
31	A04091	Screw- M5 x 16 Phillips head	4
32	A16370	Label- Blades	1
33	A02216	Washer- 3/16" x 1/2" x 18g.flat	4
34	A04126	Screw- 10-32 x 3/8" pan type 23	1
35	A20043	Heatshield	1
36		Screw- B&S muffler screw	1
37	A16163	Decal - Select Model	1





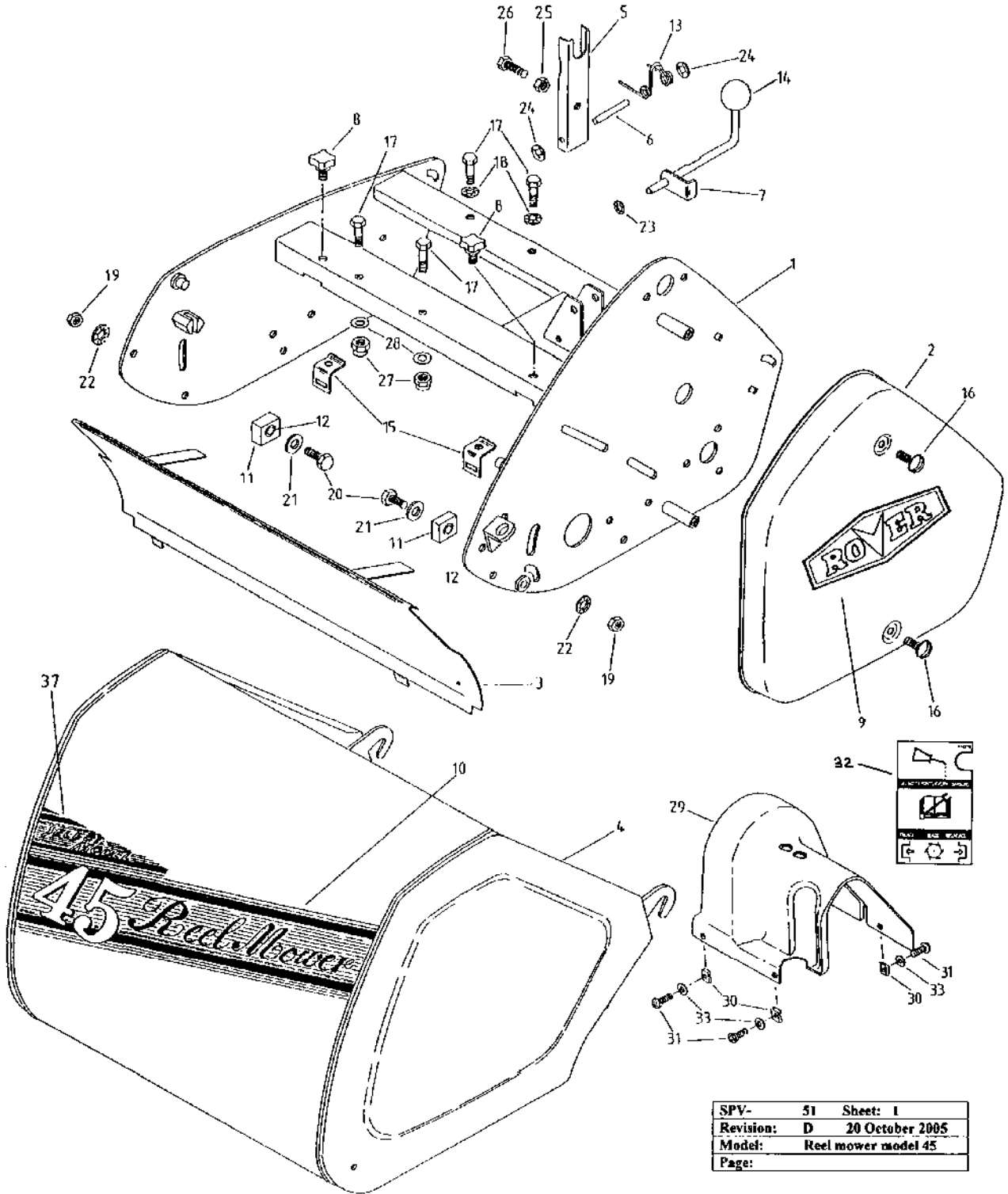
MOWERS LIMITED  
 GREAT STREET - GREAT FINCHAM  
 ABN 11 000 257 303

# SPARE PARTS VIEW

## Reel Mower 45 – 6 Blade Cutter Chassis

SPV51 Sheet 01 Revision D - 20/12/2005

1 of 2



SPV-	51	Sheet: 1
Revision:	D	20 October 2005
Model:	Reel mower model 45	
Page:		





MOWERS LIMITED  
GREAT STREETS - GREAT FINISH

ABN 11 000 257 303

# SPARE PARTS VIEW

## Reel Mower 45 – 6 Blade Cutter

### Chassis

SPV51 Sheet 01 Revision D - 20/12/2005

2 of 2

Item	Part	Description	Qty
1	A10538	Mower frame assembly	1
2	A455777	Chain case	1
3	A454387	Deflector assembly	1
4	J454459R	Grass box assembly	1
5	A331010	Clutch fork assembly	1
6	A333067	Clutch fork pivot	1
7	A10534	Operating handle	1
8	A432428	Deflector clamp screw	2
9	A12507	Decal- chain case	1
10	A20022	Decal- grass box	1
11	A453085K	Grass box support rubber	2
12	A03504	Bush-	2
13	A333091	Clutch fork spring	1
14	A2881016	Knob	1
15	A451143	Deflector mount clamp	2
16	A02107	Screw- 1/4" x 1/2" unc.mush.head	2
17	A1213809	Bolt- 5/16" x 1-1/2" unf.HT.	4
18	A02031	Washer- 5/16" shakeproof	4
19	A02007	Nut- 3/8" unc.hex.	2
20	A02100	Bolt- 3/8" x 1-1/4" unc.hex.	2
21	A02033	Washer- 3/8" x 3/4" x 16g.flat	2
22	A02034	Washer- 3/8" shakeproof	2
23	A2501116	Avdel	1
24	A2501095	Avdel	2
25	A232116	Nut- 1/4" unf.hex.	1
26	A173016	Setscrew- 1/4" x 1-1/4" unf.HT.	1
27	A02256	Nyloc nut- 5/16" unf.	2
28	A02030	Washer- 5/16" x 5/8" x 16g.flat	2
29	A20040	Clutch cover	1
30	A04088	Speed nut- Bin 045	4
31	A04091	Screw- M5 x 16 Phillips head	4
32	A16370	Label- Blades	1
33	A02216	Washer- 3/16" x 1/2" x 18g.flat	4
34			
35			
36			
37	A16163	Decal - Select Model	1





MOWERS LIMITED  
GARDEN STREET - GARDEN PARK  
ABN 11 000 257 303

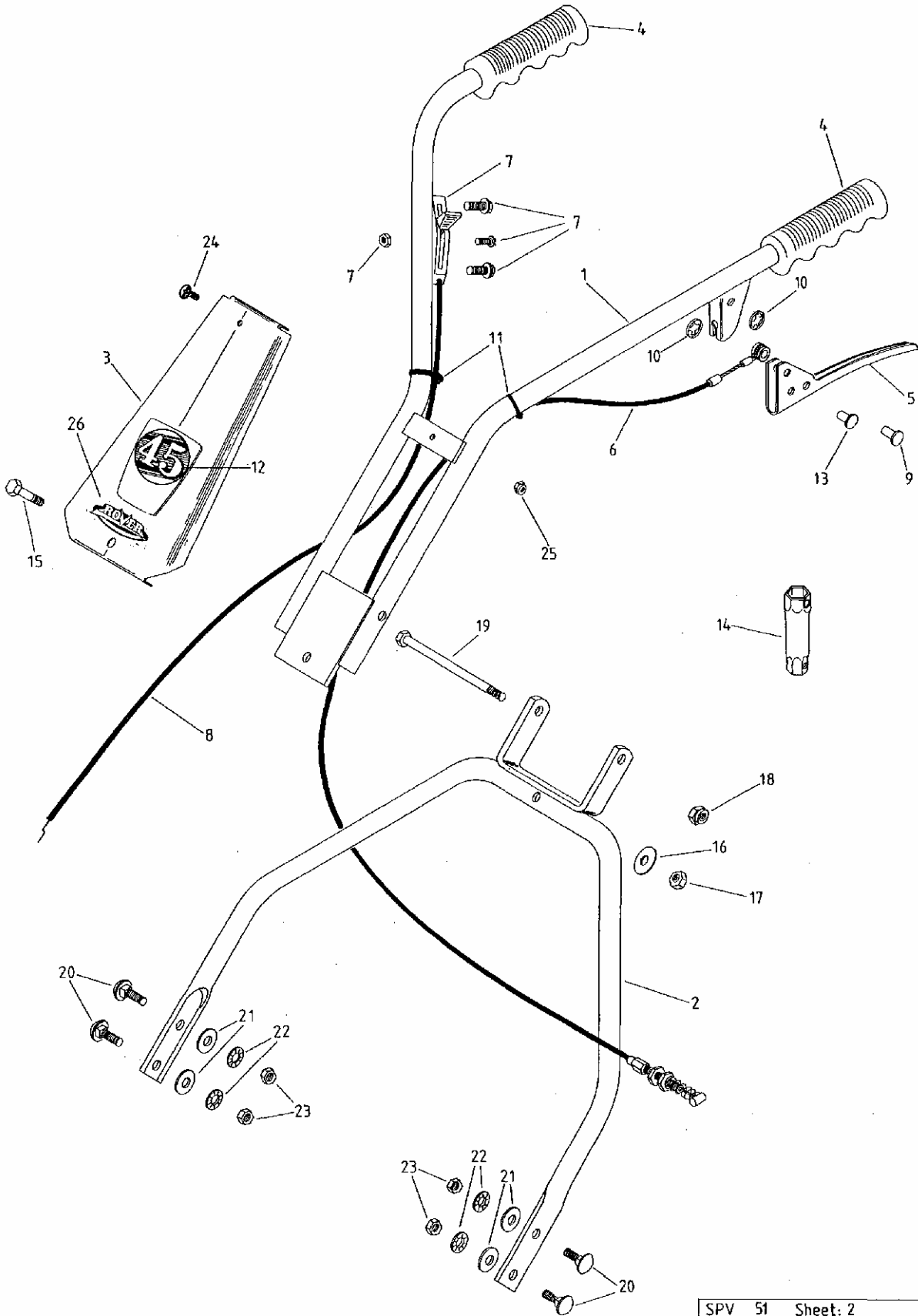
# SPARE PARTS VIEW

## Reel Mower model 45 – 6 blade cutter

### Handlebars

SPV51 Sheet 02

1 of 2



SPV 51	Sheet: 2
Rev. B	11/10/2001
Model: Model 45 Reel Mower	
Page:	





MOWERS LIMITED  
GASOLINE ENGINE - GASOLINE POWER  
ABN 11 000 257 303

# SPARE PARTS VIEW

## Reel Mower model 45 – 6 blade cutter

### Handlebars

SPV51 Sheet 02

2 of 2

Item	Part	Description	Qty
1	A456374	Upper handle bar assembly	1
2	A456366	Lower handle bar assembly	1
3	A453683	Cover plate	1
4	A1851069	Handle grip	2
5	A403010	Clutch lever	1
6	A451240	Clutch wire assembly	1
7	A10016K	Throttle control	1
8	A03088	Throttle cable	1
9	A02066	Clutch wire anchor pin	1
10	A2501108	Avdel-1/4"	2
11	A07822	Cable tie	2
12	A20021	Decal- handle bar cover	1
13	A02118	Clutch pivot pin	1
14	A03518	Spark plug spanner	1
15	A1213809	Bolt- 5/16" x 1-1/2" unf.HT	1
16	A386046	Handle clamp	1
17	A2321182	Nut- 5/16" unf.hex.	1
18	A02220	Nyloc nut- 3/8" unf.	1
19	A1216946	Bolt- 3/8" x 4" unf. HT	1
20	A02231	Bolt- 5/16" x 3/4" cuphead	4
21	A02030	Washer- 5/16" x 5/8" x 18g.flat	4
22	A02031	Washer- 5/16" shakeproof	4
23	A02004	Nut- 5/16" unc.hex.	4
24	A04080	Screw- 3/16" x 5/8" unc.mush head	1
25	A02193	Nyloc nut- 3/16" unc.	1
26	A12737	Decal- Rover	1





MOWERS LIMITED  
 GARDEN SPECIAL - GARDEN FINISH  
 ABN 11 000 257 303

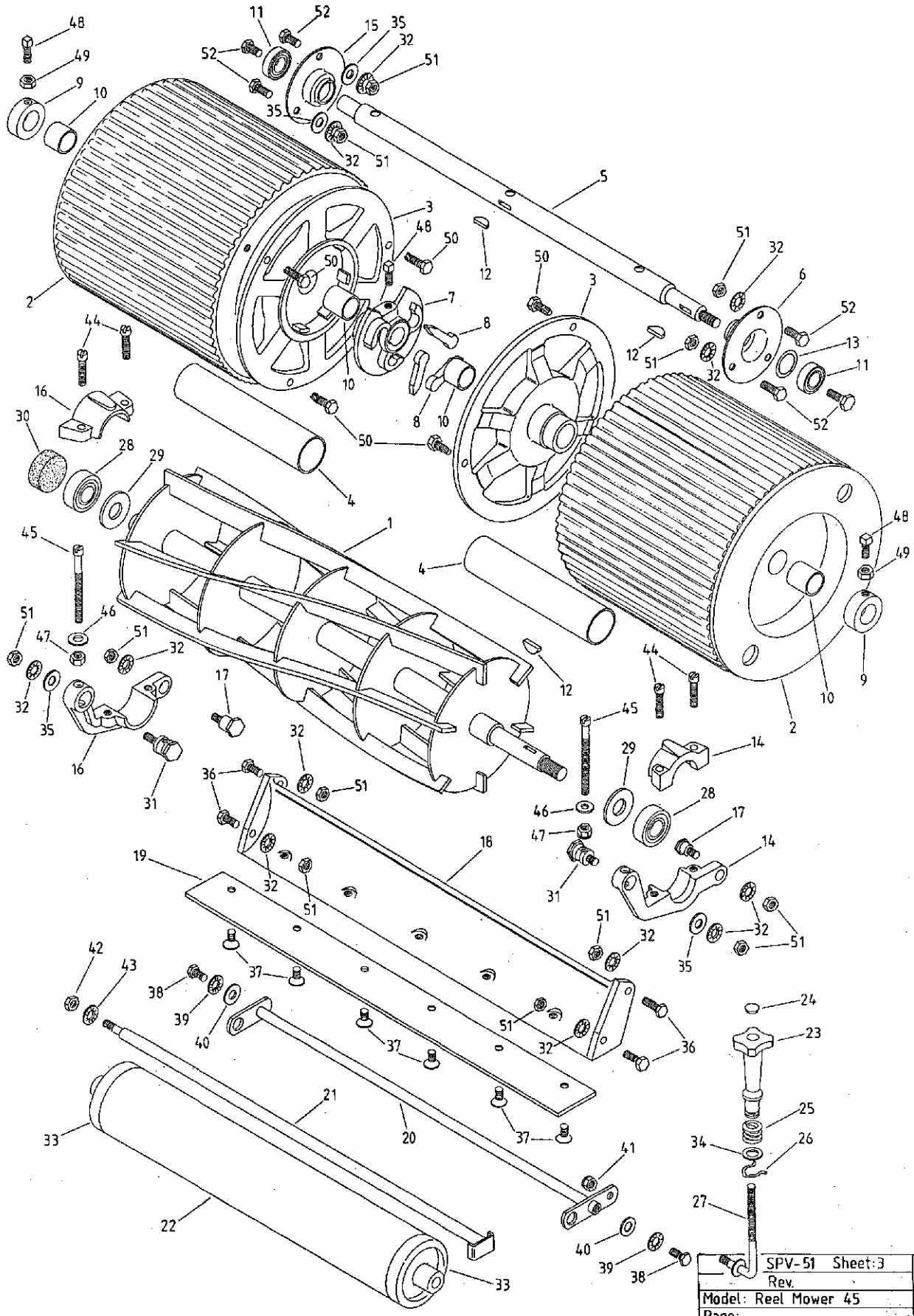
# SPARE PARTS VIEW

Reel Mower model 45 – 6 blade cutter

Cutter System

SPV51 Sheet 03

1 of 2



SPV-51	Sheet:3
Rev.	
Model: Reel Mower 45	
Page:	





MOWERS LIMITED  
GARIBDI STREET - GARIBDI PARKWAY  
ABN 11 000 257 303

# SPARE PARTS VIEW

## Reel Mower model 45 – 6 blade cutter

### Cutter System

SPV51 Sheet 03

2 of 2

Item	Part	Description	Qty
1	A10665	Cutter assembly - 10 blade (Not illustrated)	1
1	A451581	Cutter assembly - 6 blade	1
2	A451530	Outer drum - bushed	2
3	A454109	Ratchet box- bushed	2
4	A591699	Drum shaft dirt sleeve	2
5	A454424	Drum shaft	1
6	A453448	Drum bearing housing- LH	1
7	A454133	Pawl holder	1
8	A333024	Pawl	6
9	A333120	Drum shaft collar	2
10	A3111119	Drum bush	4
11	A1129017	Drum bearing	2
12	A02051	Woodruff key- No.6	3
13	A453464	Spacer ring	1
14	A451426	Cutter bearing housing- LH	1
15	A453456	Drum bearing housing- RH	1
16	A451450	Cutter bearing housing- RH	1
17	A453261	Pivot bolt	2
18	A454379	Sole plate	1
19	A391700	Bottom plate	1
20	A455929	Front roller adj. bracket assembly	1
21	A454301	Front roller shaft assembly	1
22	A454299	Front roller tube	1
23	A454694	Hand nut	1
24	A3521020	Hand nut plug	1
25	A454707	Spring	1
26	A454723	Circlip	1
27	A454678	Front roller adj. screw assembly	1
28	A1128382	Cutter bearing	2
29	A451477	Cutter bearing shield	2
30	A451653	Bearing seal- RH	1
31	A456593	Clamp bolt	2
32	A02031	Washer- 5/16" shakeproof	14
33	A455865	Roller end	2
34	A454715	Retaining washer	1
35	A02030	Washer- 5/16" x 5/8" x 18g.flat	5
36	A1212769	Bolt- 5/16" x 1" unf.HT.	4
37	A2071924	Screw- 5/16" x 1/2" Csk.M/T	6
38	A02077	Setscrew- 1/4" x 1/2" unf.HT.	2
39	A02044	Washer- 1/4" shakeproof	2
40	A02209	Washer- 1/4" x 5/8" x 18g.flat	2
41	A02220	Nyloc nut- 3/8" unf.	1
42	A02060	Nut- 3/8" unf.hex	1
43	A02034	Washer- 3/8" shakeproof	1
44	A2063261	Screw- 1/4" x 1-1/4" cheese head M/T	4
45	A456606	Cutter bearing adj.screw	2
46	A07804	Washer- Special	2
47	A02045	Nyloc nut- 1/4" unf.	2
48	A02082	Setscrew-5/16" x 3/4" unc.CHCP	3
49	A02004	Nut- 5/16" unc.hex.	2
50	A351102	Thread cutter- 1/4" x 3/4" unc.hex.	6
51	A2321182	Nut- 5/16" unf.hex	14
52	A3182102	Setscrew- 5/16" x 5/8" unf.HT	6







MOWERS LIMITED  
GARIBDI STREET - GARIBDI PARKWAY  
ABN 11 000 257 303

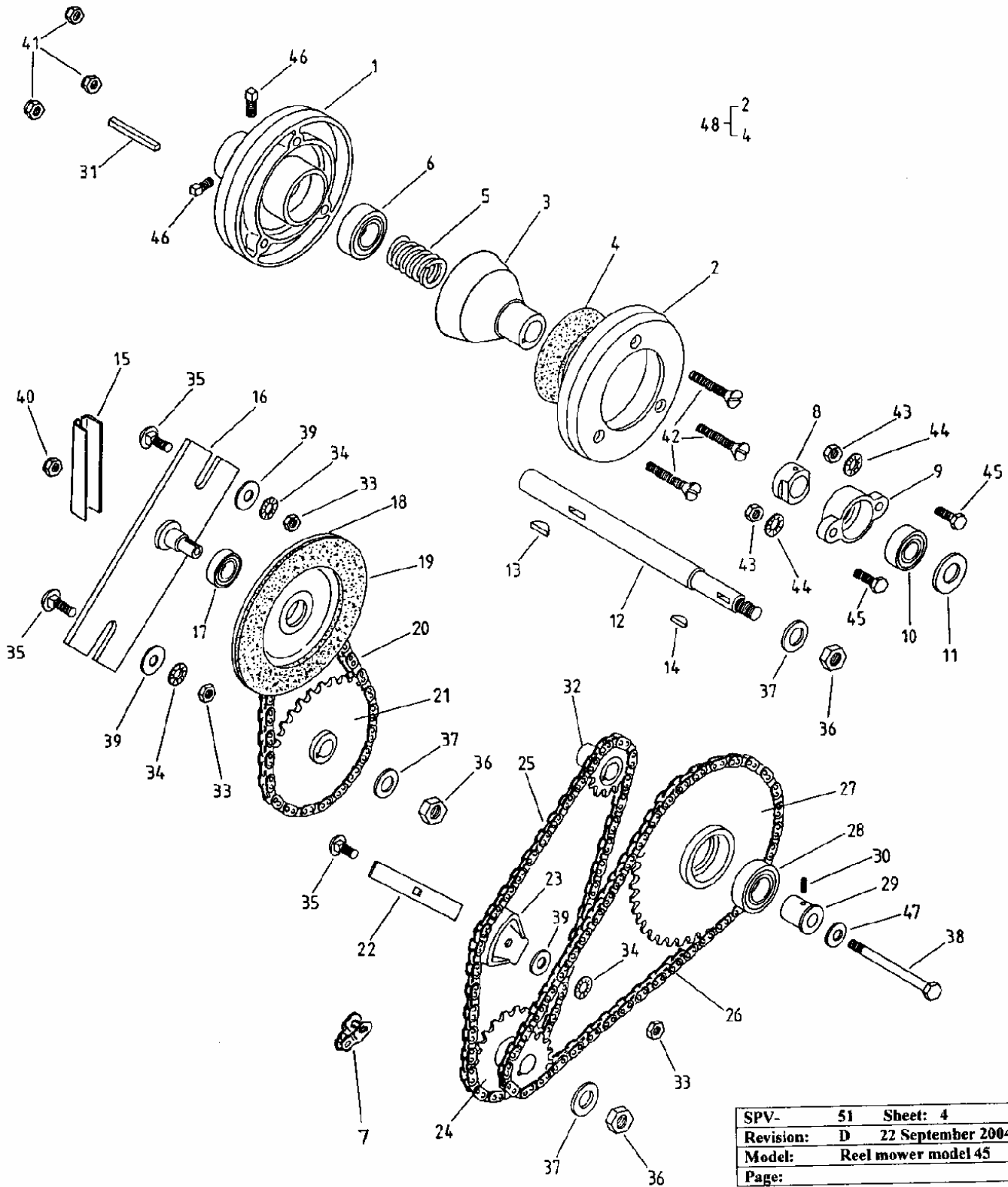
# SPARE PARTS VIEW

## Reel Mower model 45 – 6 blade cutter

### Drive System

SPV51 Sheet 04

1 of 2



SPV-	51	Sheet: 4
Revision:	D	22 September 2004
Model:	Reel mower model 45	
Page:		





MOWERS LIMITED  
GASOLINE ENGINE - GASOLINE POWER  
ABN 11 000 257 303

# SPARE PARTS VIEW

## Reel Mower model 45 – 6 blade cutter

### Drive System

SPV51 Sheet 04

2 of 2

Item	Part	Description	Qty
1	A453835	Clutch body- 5/8" dia.	1
1	A455531	Clutch body- 3/4" dia.	1
2	A453851	Clutch outer cone	1
3	A453878	Clutch inner cone	1
4	A453860	Outer cone lining	1
5	A453886	Clutch spring	1
6	A3534016	Thrust race	1
7	A2984308	Cutter chain half link for item 26	1
8	A333112	Thrust pad	1
9	A451645	Bearing housing	1
10	A1122225	Bearing	1
11	A451602	Bearing shield	1
12	A454512	Engine shaft	1
13	A05086	Woodruff key- No:9	1
14	A02051	Woodruff key- No:6	1
15	A453560	Operating lever	1
16	A451215	Inter adjustment bracket assembly	1
17	A09871	Sprocket bearing assembly	1
18	A454643	Small inter sprocket assembly	1
19	A333032	Lining	1
20	A2981385	Roller chain	1
21	A451207	Drum sprocket	1
22	A455750	Chain adj. shield	1
23	A455769	Chain adj.slide	1
24	A451485	Cutter sprocket	1
25	A2984806	Roller chain	1
26	A2981590	Roller chain	1
27	A454774	Large inter sprocket assembly	1
28	A1122422	Large inter sprocket bearing	1
29	A454803	Operating sleeve clutch	1
30	A1811274	Roll pin	1
31	A453843	Clutch body key	1
32	A453990	Motor sprocket- 12tooth	1
33	A02004	Nut- 5/16" unc.hex	3
34	A02031	Washer- 5/16" shakeproof	3
35	A02231	Bolt- 5/16" x 3/4" unc.cuphead	3
36	A2441244	Nut- 1/2" unf.hex	3
37	A02063	Washer- 1/2" x 1" x16g.flat	3
38	A1215863	Clutch operating bolt	1
39	A02012	Washer- 5/16" x 7/8" x 18g.flat	3
40	A02045	Nyloc nut- 1/4" unf.	1
41	A02235	Nyloc nut- 1/4" unc.	3
42	A2074302	Screw- 1/4" x 1-3/4" Csk.M/T	3
43	A232116	Nut- 1/4" unf.hex	2
44	A02044	Washer- 1/4" shakeproof	2
45	A318228	Setscrew- 1/4" x 3/4" unf.HT	2
46	A02082	Setscrew- 5/16" x 3/4" unc CHCP.	2
47	A143503	Washer	1
48	A451311	Clutch outer cone assembly	1
49	A453834	Clutch assy.- Ø5/8" includes items 1,3,5,41,42,48	1
50	A10776	Clutch assy.- Ø3/4" includes items 1,3,5,41,42,48	1

